

FLOOR BOXES | COLUMNS | DESKTOP WORKSTATIONS

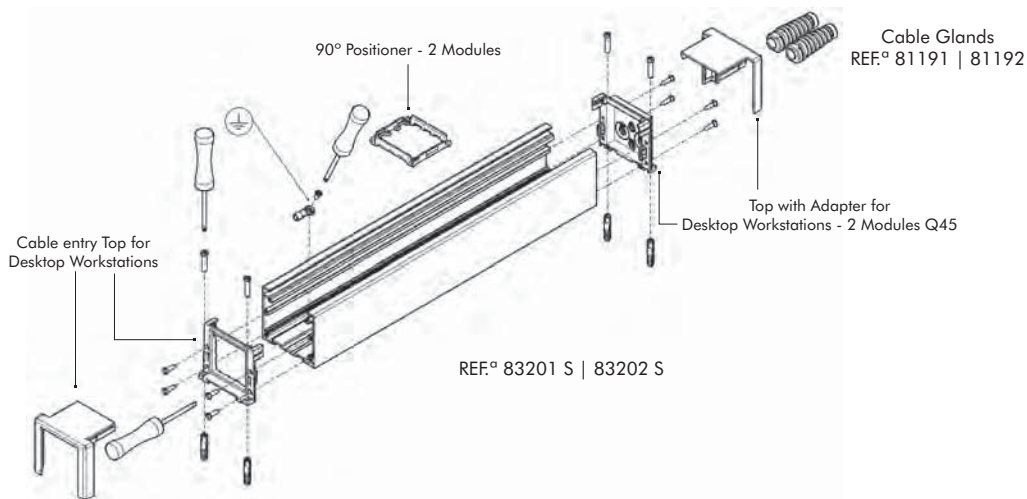
DESKTOP WORKSTATIONS
(REF. 83201 S / 83202 S)

DESCRIPTION

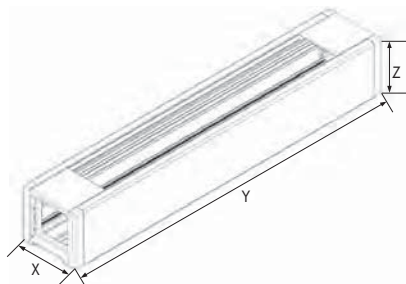


- They can be installed on a desk, wall, DIN rail or elsewhere.
- To be used with semi-assembled devices QUADRO 45 Series.

MOUNTING DIAGRAM



DIMENSIONS (mm)



	X	Y	Z
REF. 83201 S	62,0	269,5	54,5
REF. 83202 S	62,0	360,5	54,5